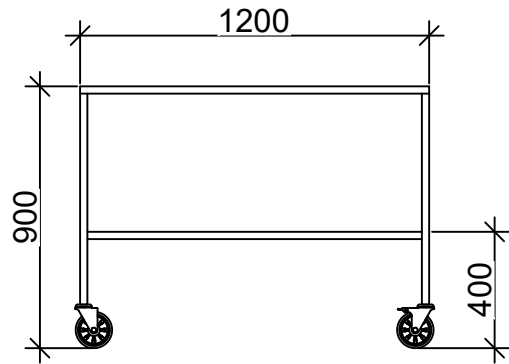
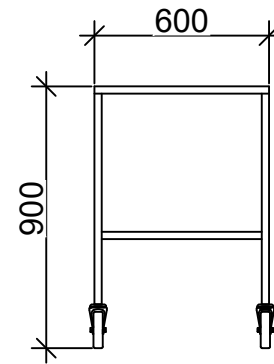


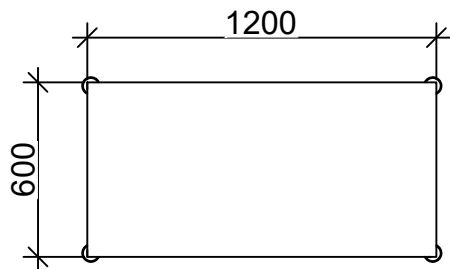
FRONT VIEW



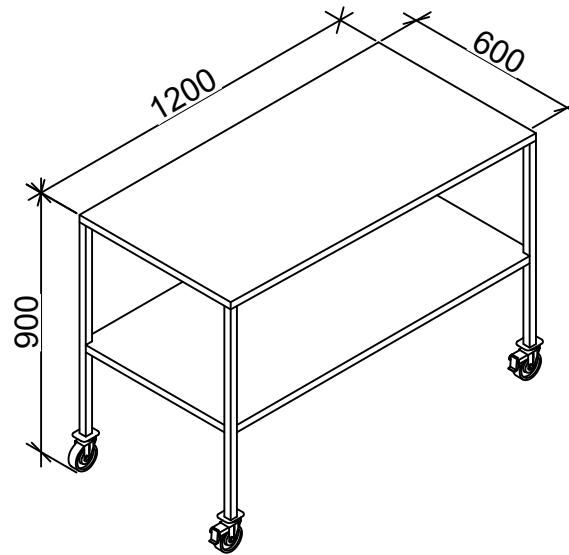
LEFT VIEW



TOP VIEW



PERSPECTIVE



PROJECT :

TITLE :

**Stainless steel
trolley without
drawer**

DESCRIPTION :

REVISION

DATE 24/09/2020

CLIENT CODE

DRAWN BY Bing

CHECKED BY

SALES

EMAIL

wcs-gmedtech.com

