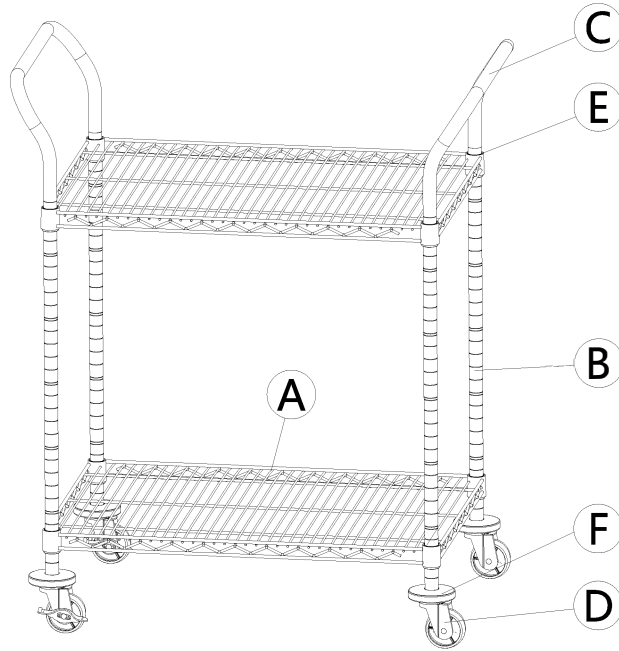


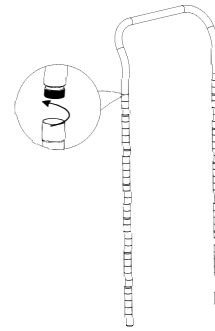


### Assembly Steps:

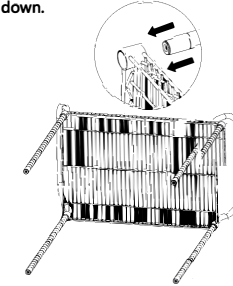
## 2 Tiers Chrome Trolley WCS-TR001 & WCS-TR002



① Screw 2pcs Pole(B) into Upper Handle(C) by screw connectors which is already assembled on the upper handle.

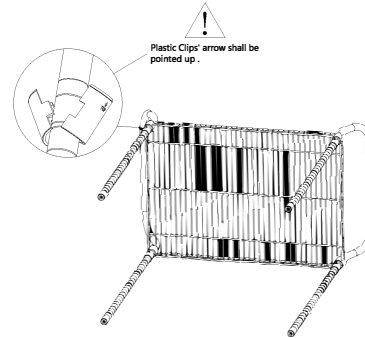


② Please make sure that you have the Wire Shelf (A) the correct way up. Hold the wire shelf on it's side and slide into the top of poles which are with the upper handle. Please make sure the gap on the collar should face down.

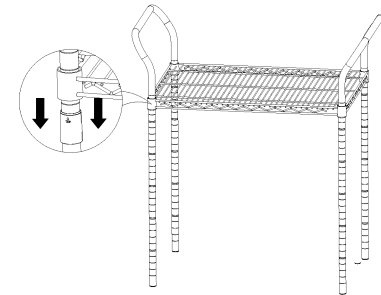


Keep the gap in collar face down

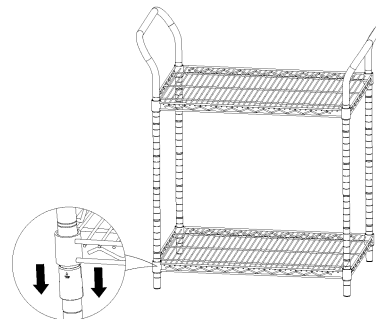
③ Snap plastic clips(E) into the grooves of four pole . Make sure the arrow of plastic clips are pointing up.



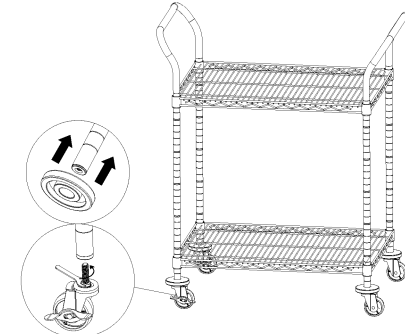
④ Slide down the wire shelf(A) down onto the plastic clips and set the shelf upright.



⑤ Repeat the step ②, ③ and ④ to assemble the other shelf.



⑥ Slide the bumper(F) into the bottom of each pole, then screw the Rubber Casters (D) into the bottom of each Pole(B) in a clockwise direction and fasten it by wrench.



No.	A	B	C	D	E	F
Name	Wire Shelf	Pole	Upper Handle	Rubber Caster	Plastic Clip	Bumper
Parts						
Quantity	2PCS	4PCS	2PCS	4PCS	16PCS	4PCS