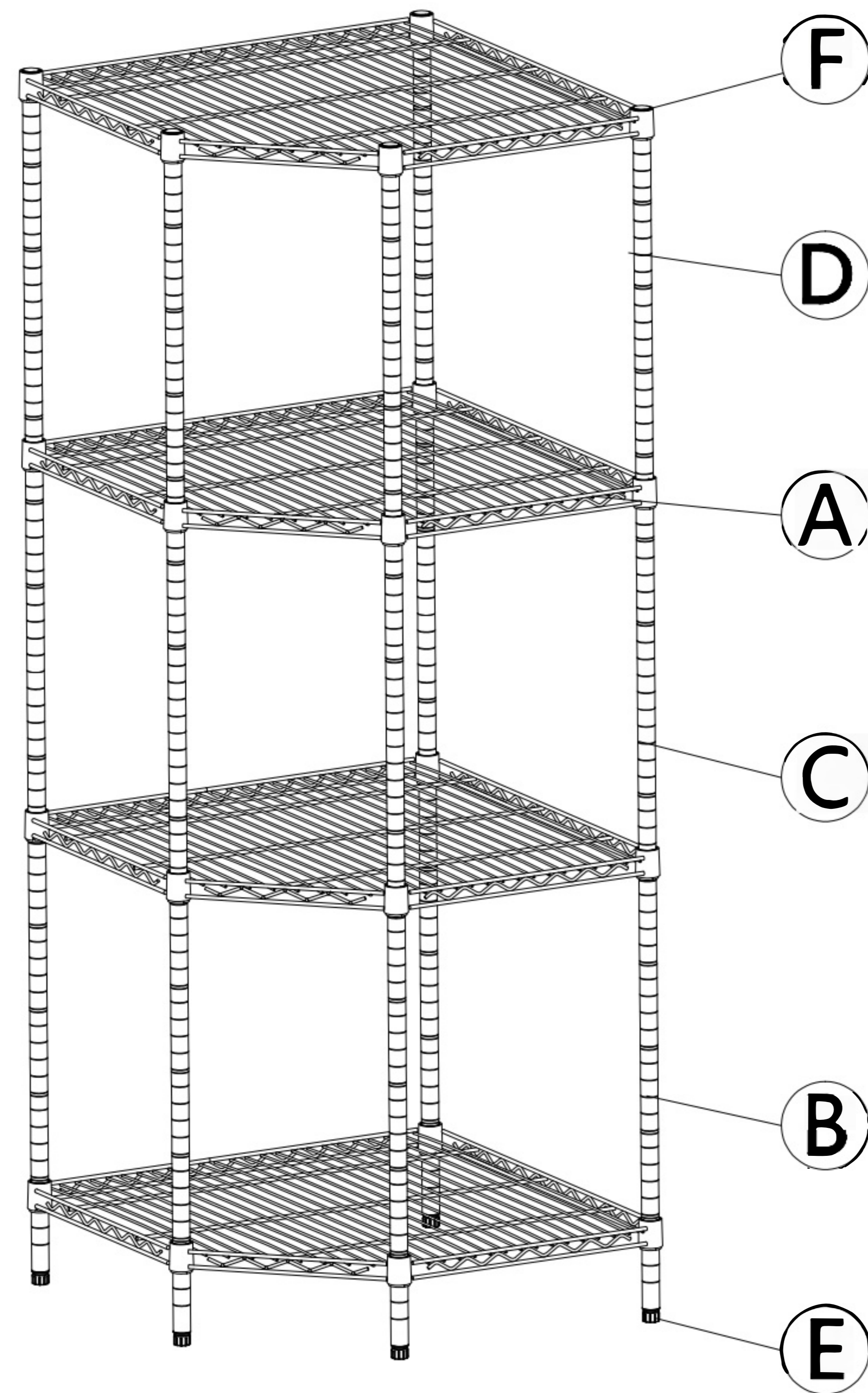
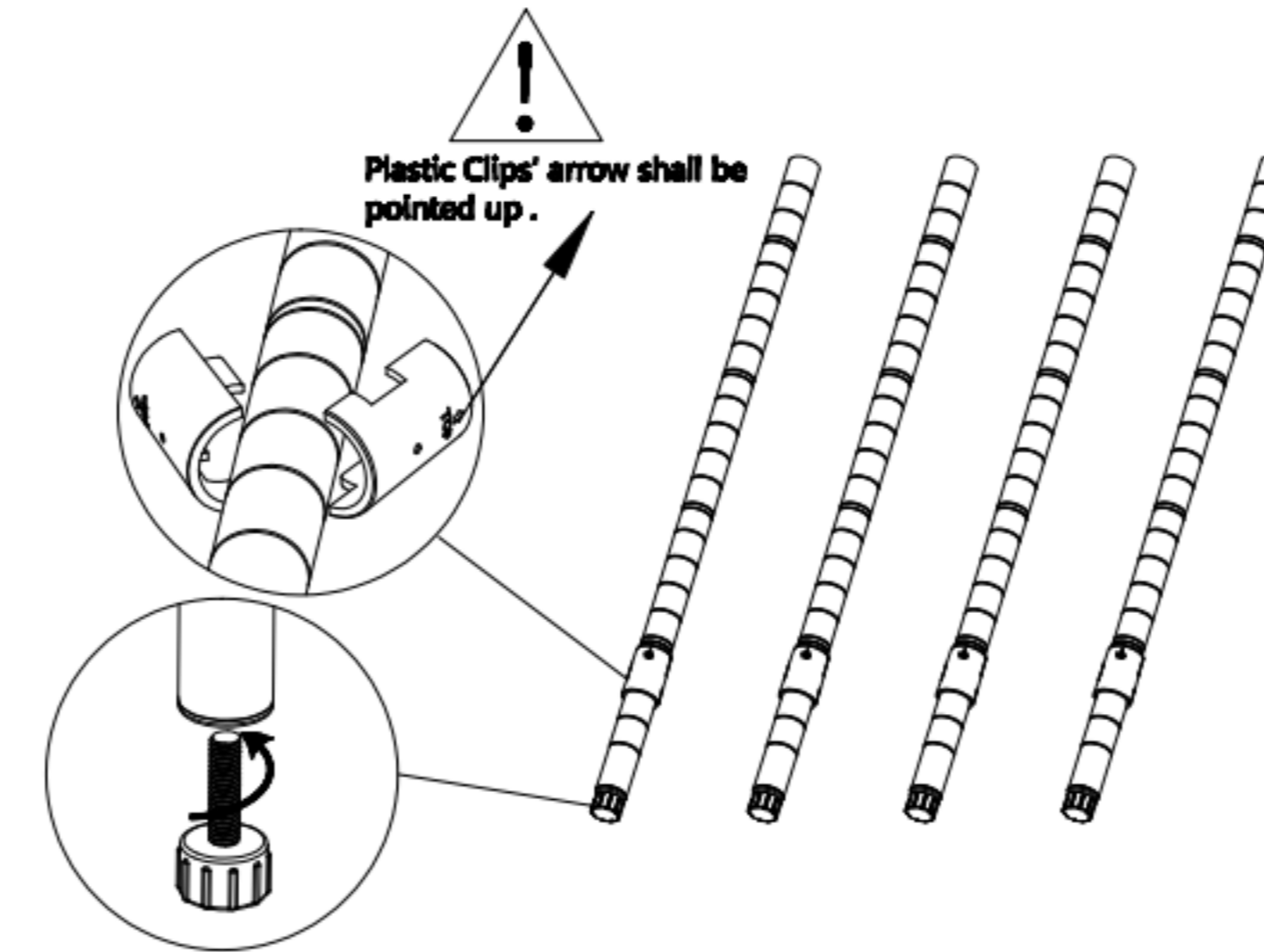


WCS-S004

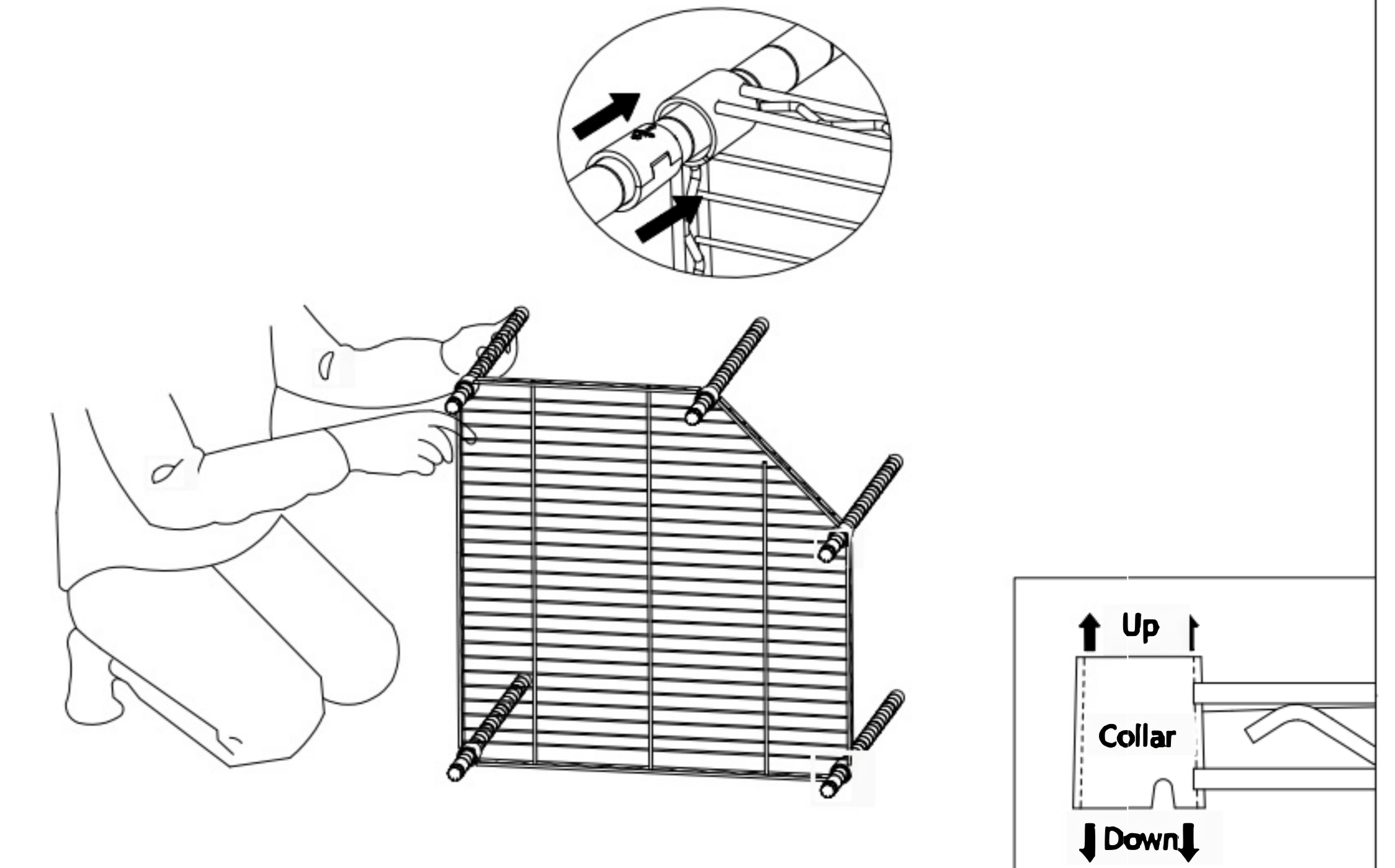


Assembly Steps:

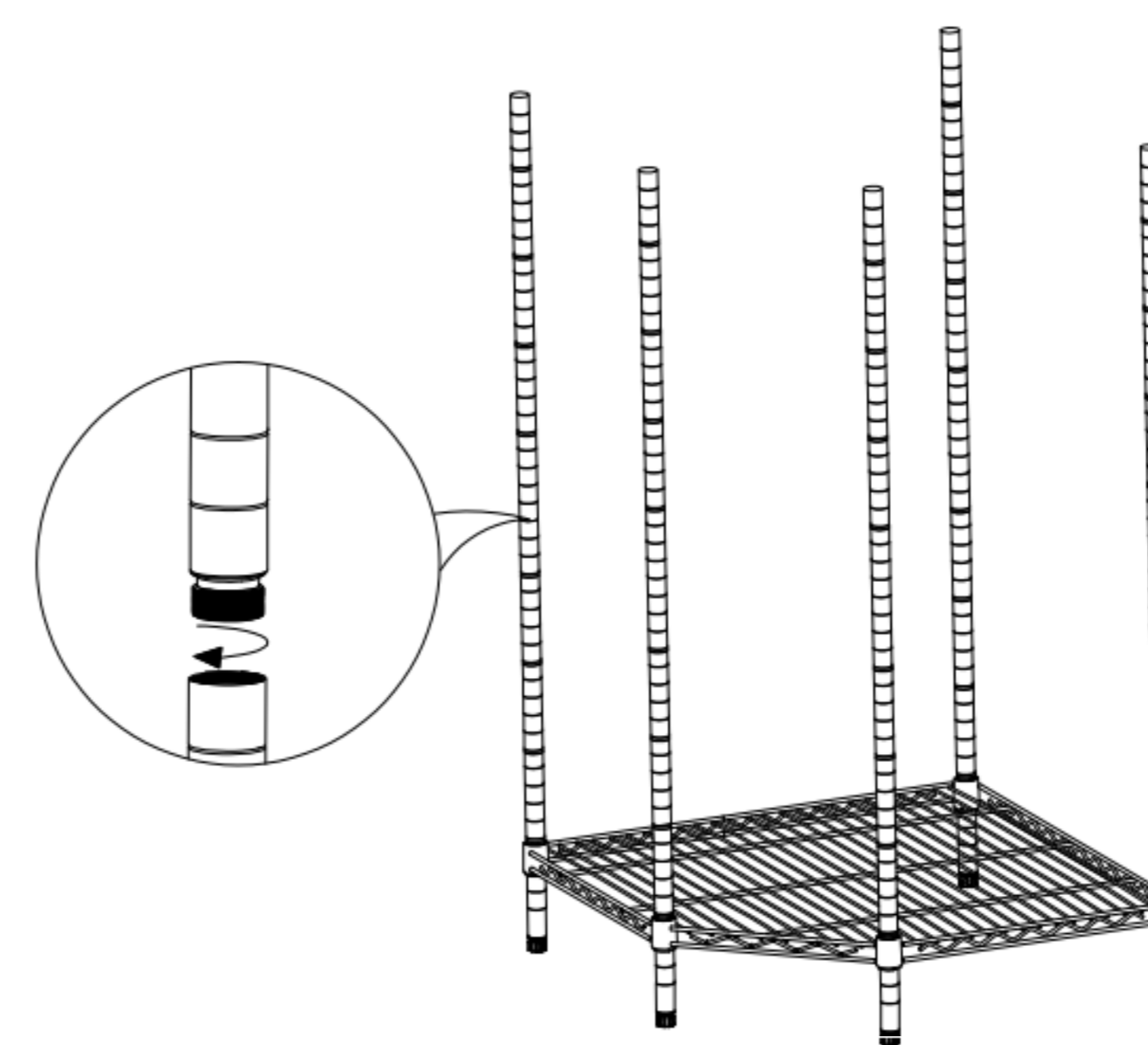
1 Screw Leveling Feet (E) into the bottom of the Lower Poles (B). Then snap one pair of Plastic Clips (F) on the same grooves of each lower pole. Make sure that the arrow of all plastic clips should be pointed up, and the grooves of plastic clips should be locked with the poles.



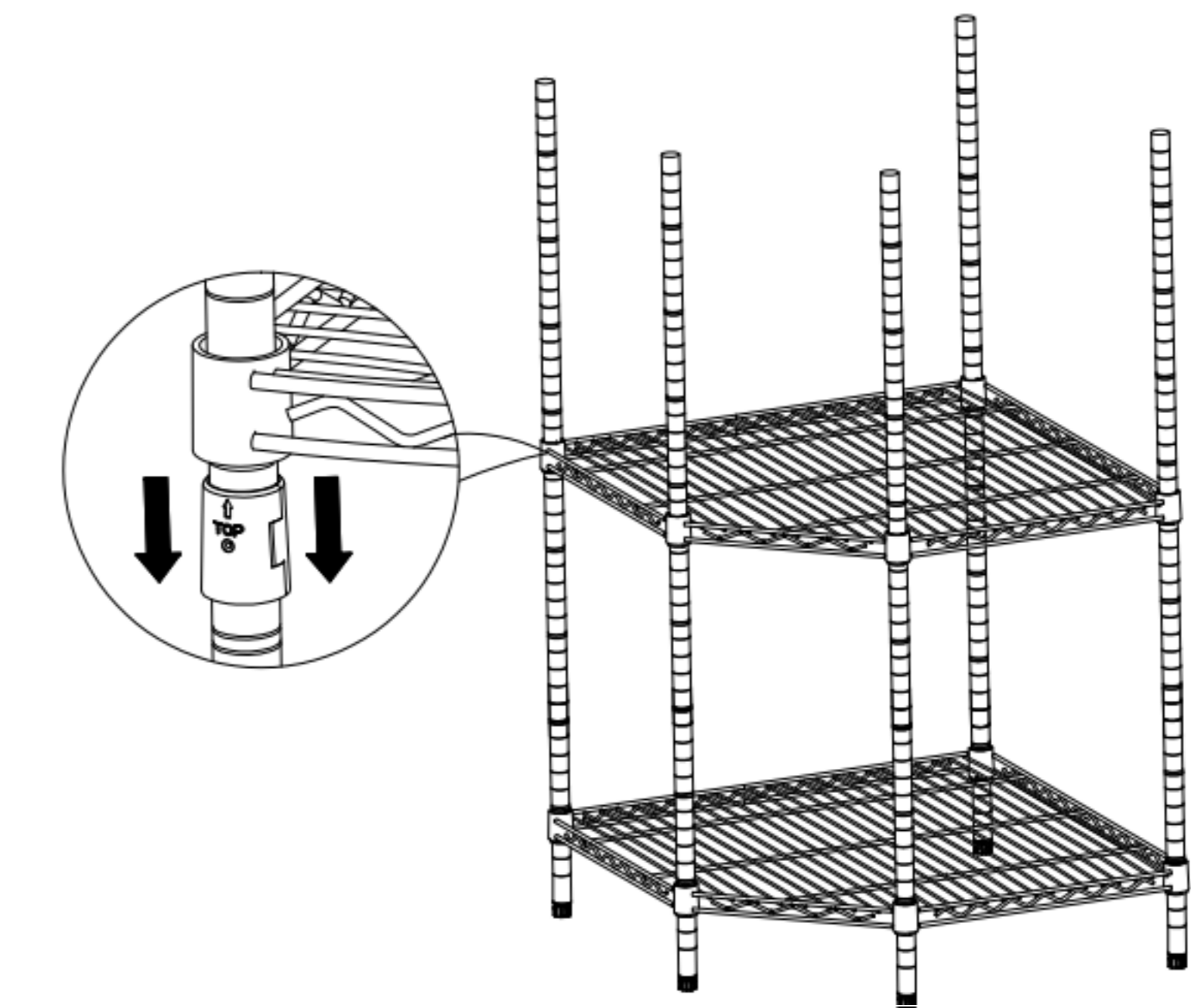
2 Please make sure that you have the Wire Shelf (A) correct way up. Hold the shelf on its side and slide it from the top of each lower pole down onto the plastic clips until there is snug fit.



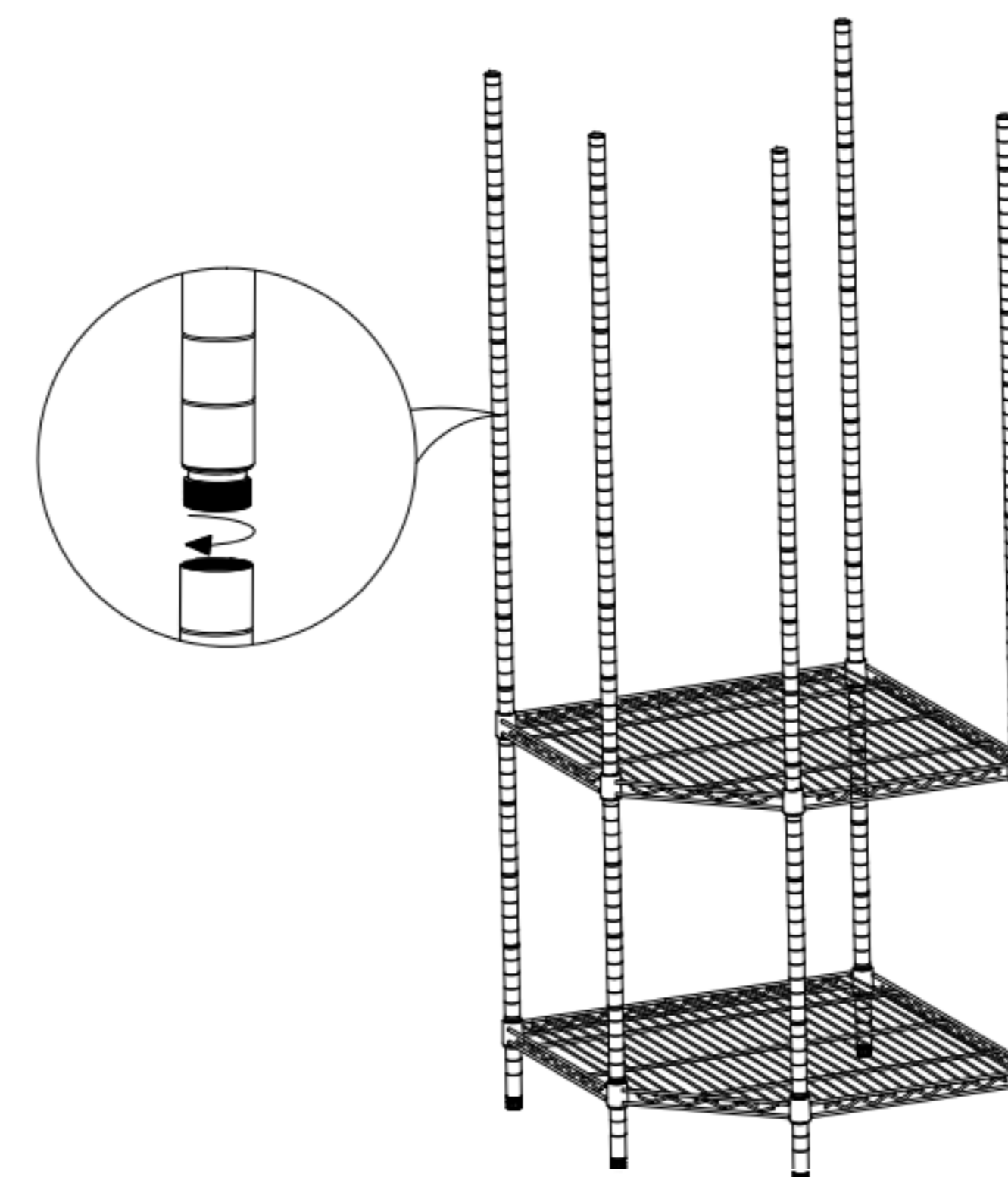
3 Set the shelf upright. Screw Middle Poles (C) into lower poles by connectors which are already assembled on the middle poles.



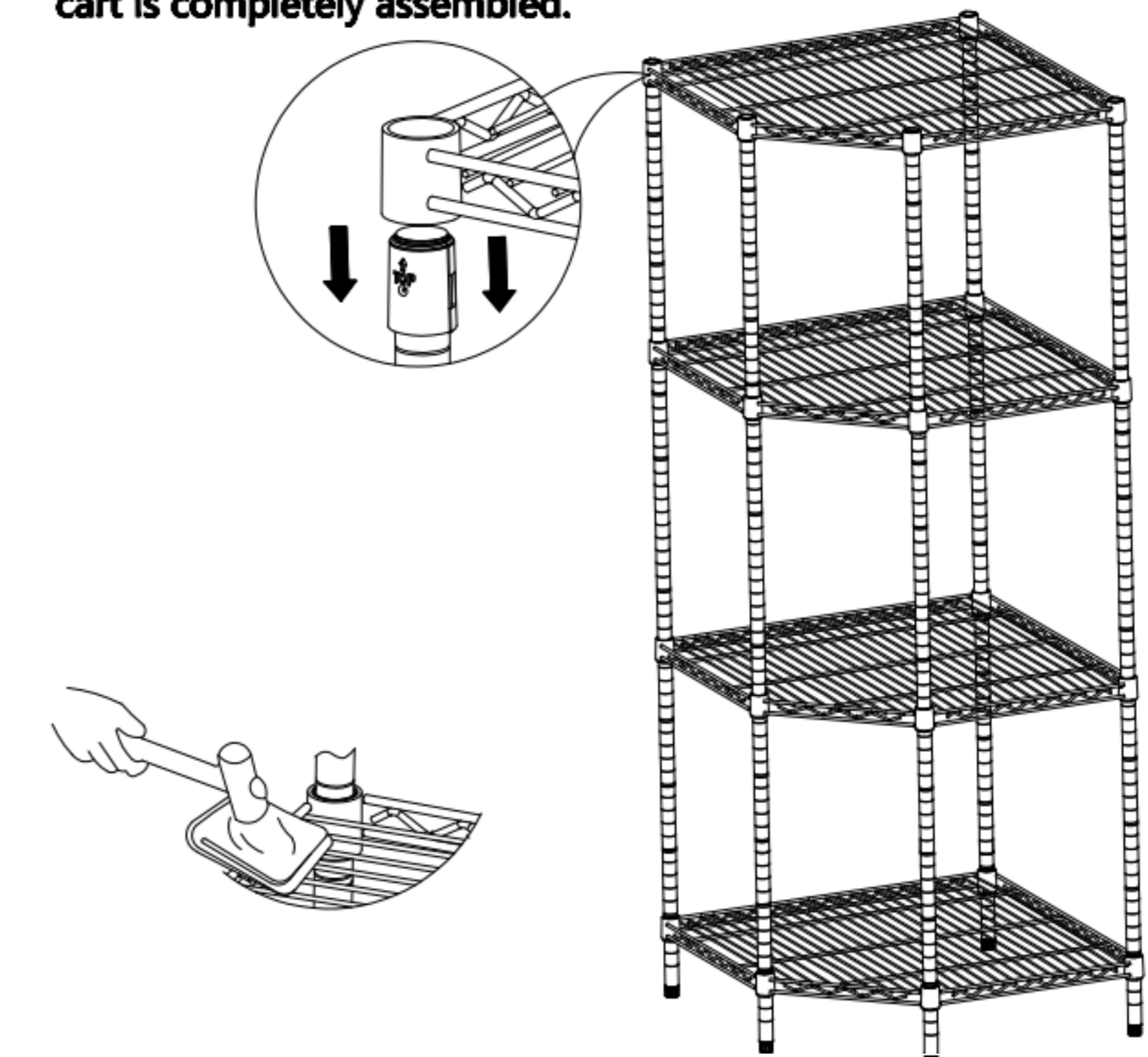
4 Refer to Step ①, ② to snap the plastic clips on the same groove of each pole at your next desired position and assemble the second wire shelf.



5 Screw Upper Poles (D) into lower poles by connectors which are already assembled on the upper poles.



6 Refer to Step ①, ② to snap plastic clips onto the same grooves of each pole for other two pieces wire shelves as the photo. Then assemble other two pieces wire shelves. Pushing firmly down on every wire shelf at corners by rubber mallet to ensure all the shelves are in a place over the plastic clips. Now the four tiers pentagon wire shelving cart is completely assembled.



| NO. | A | B | C | D | E | F |
|----------|------------|------------|-------------|------------|---------------|--------------|
| Name | Wire Shelf | Lower Pole | Middle Pole | Upper Pole | Leveling Feet | Plastic Clip |
| Parts | | | | | | |
| Quantity | 4PCS | 5PCS | 5PCS | 5PCS | 5PCS | 40PCS |