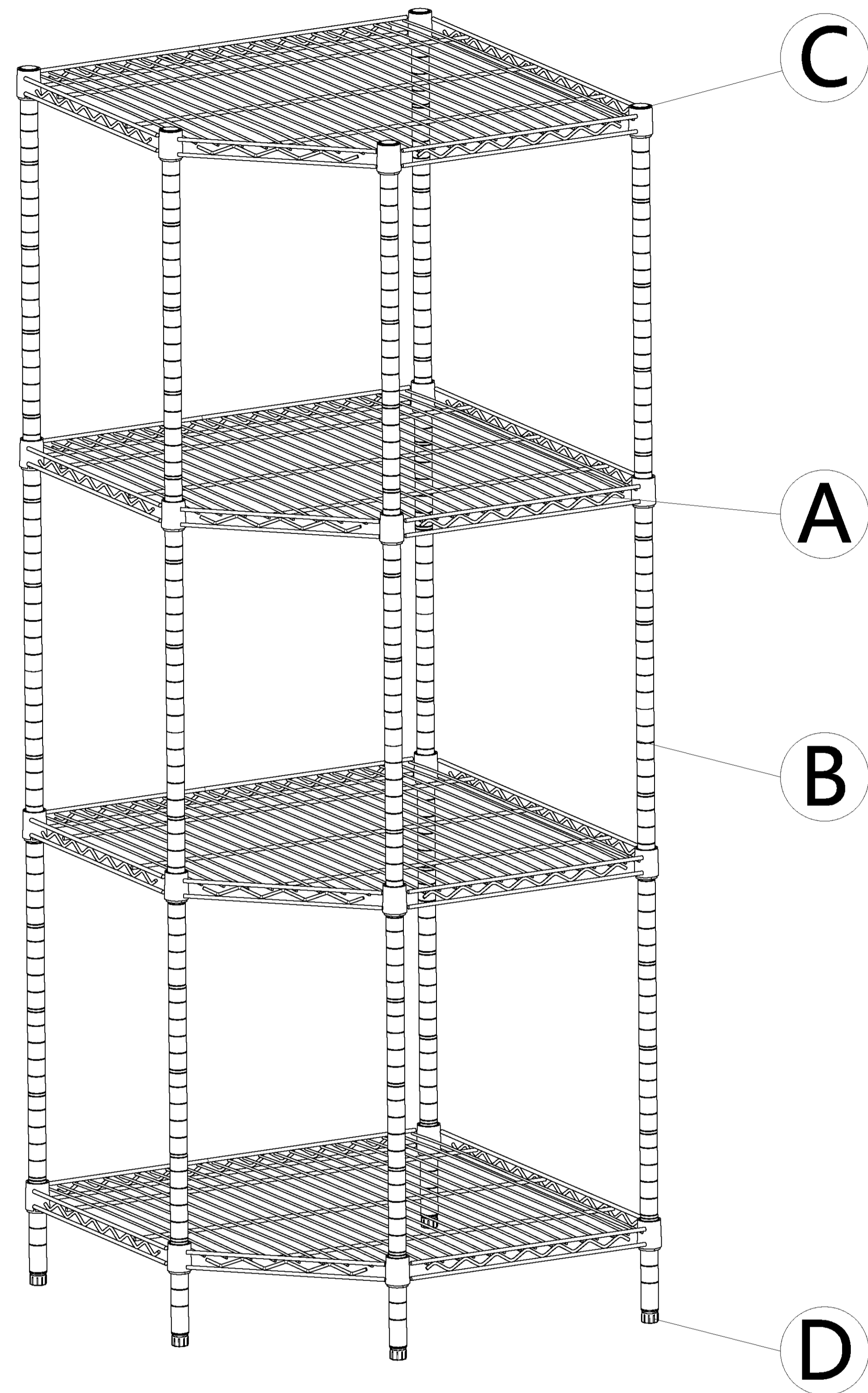
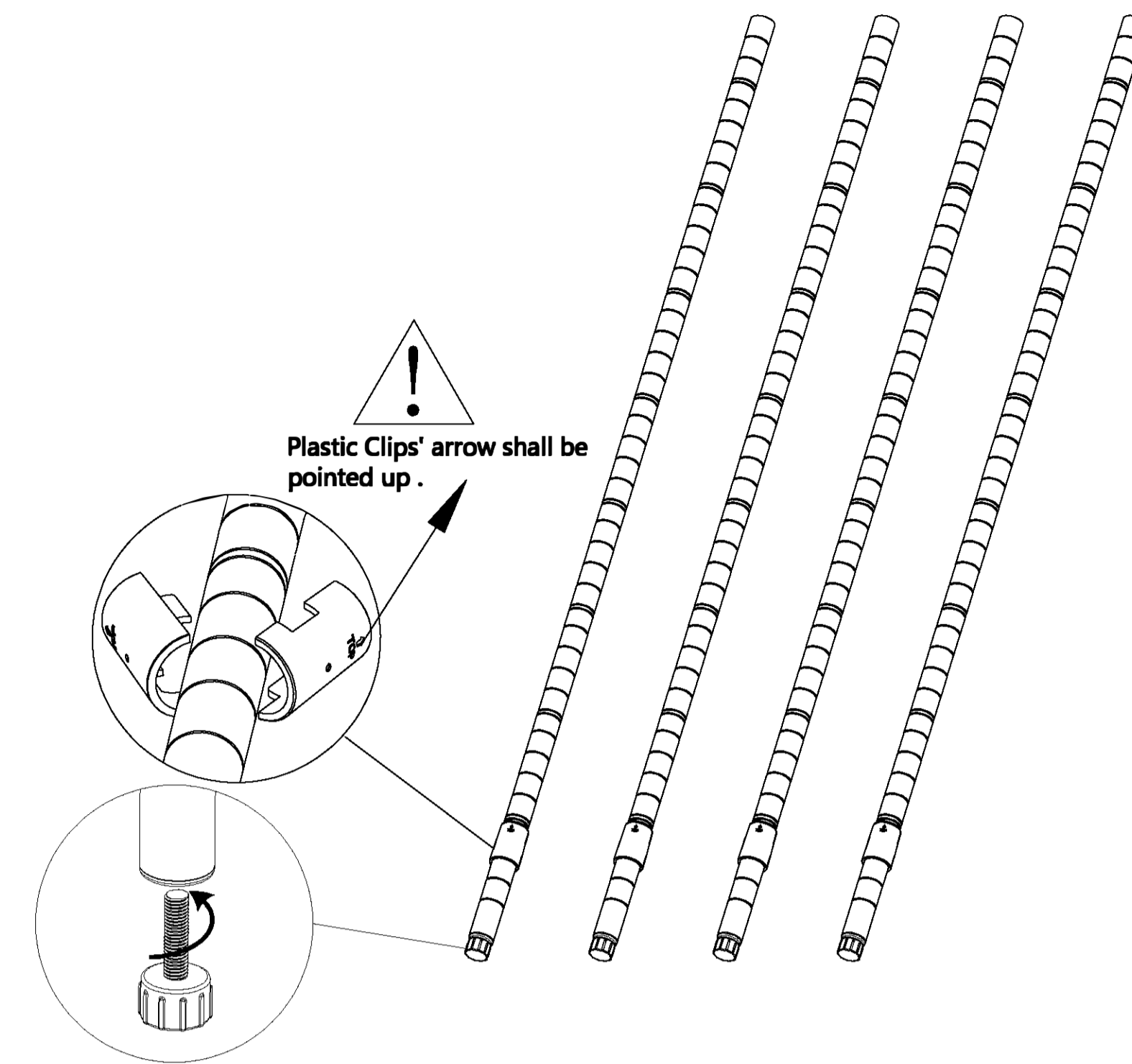


Assembly Steps:

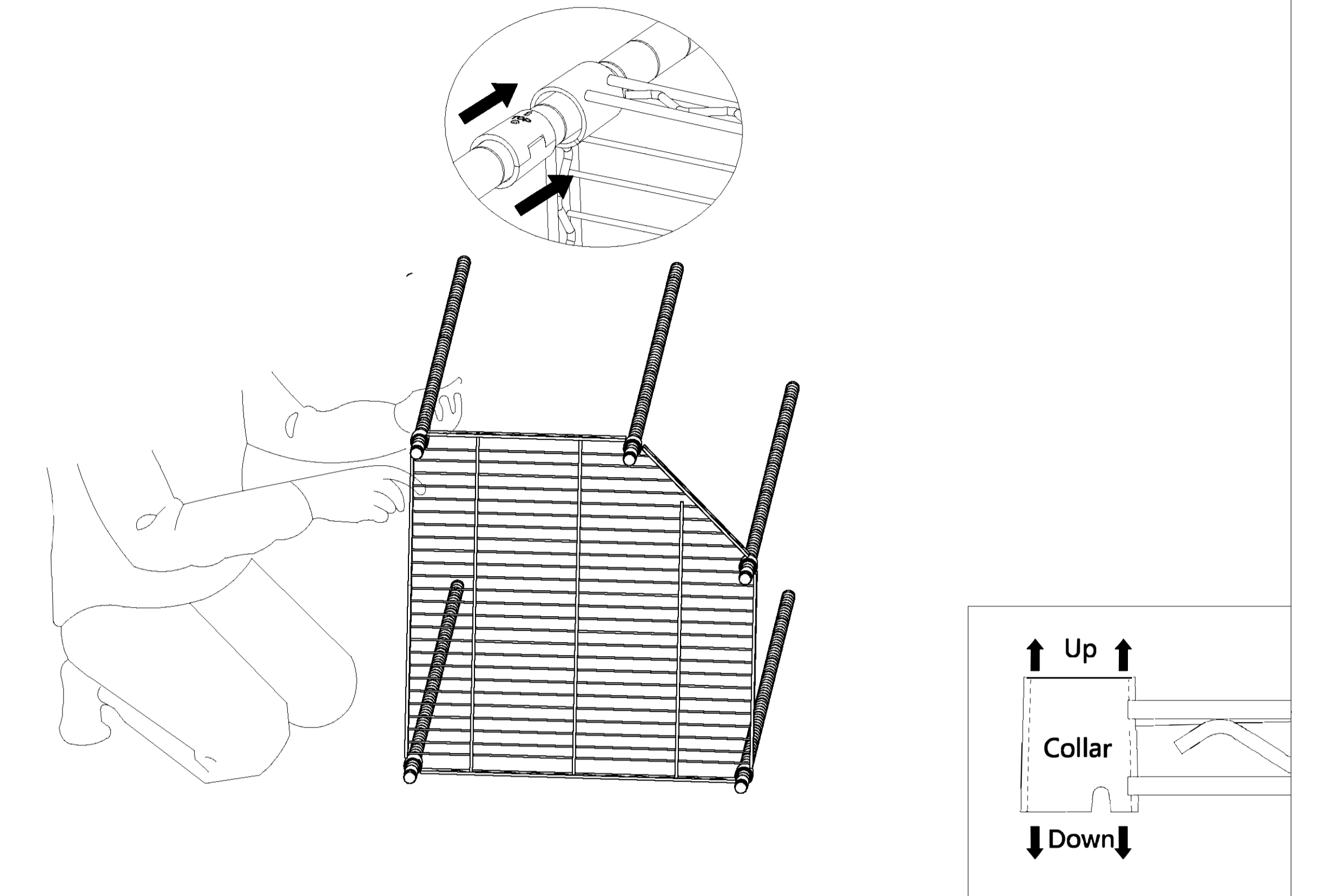
WCS-S008



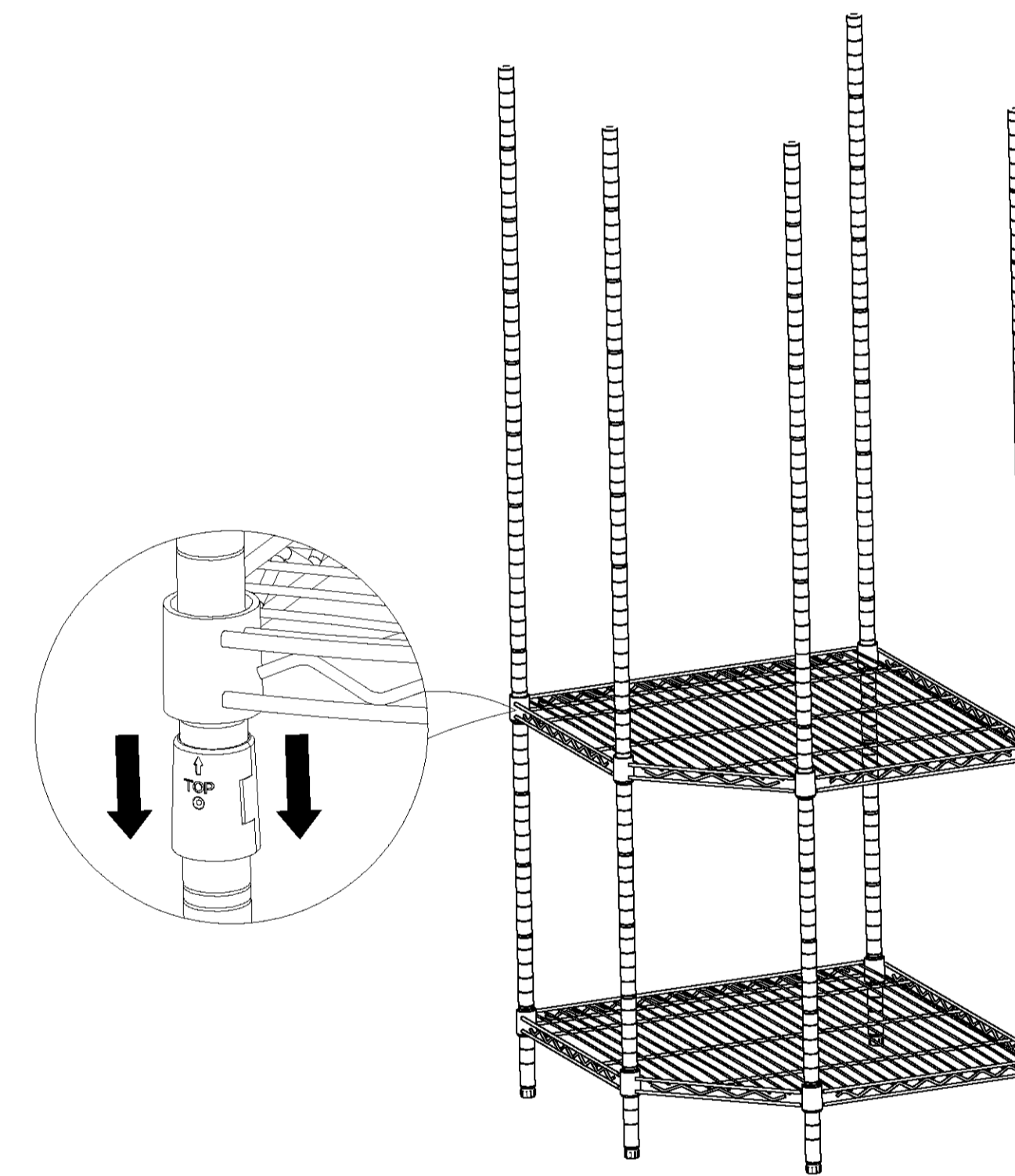
1 Screw the leveling feet(C) into the bottom of four poles(B). Snap Plastic Clips (D) onto the pole grooves of each pole at the same position and make sure that the arrow of plastic clips are pointing up.



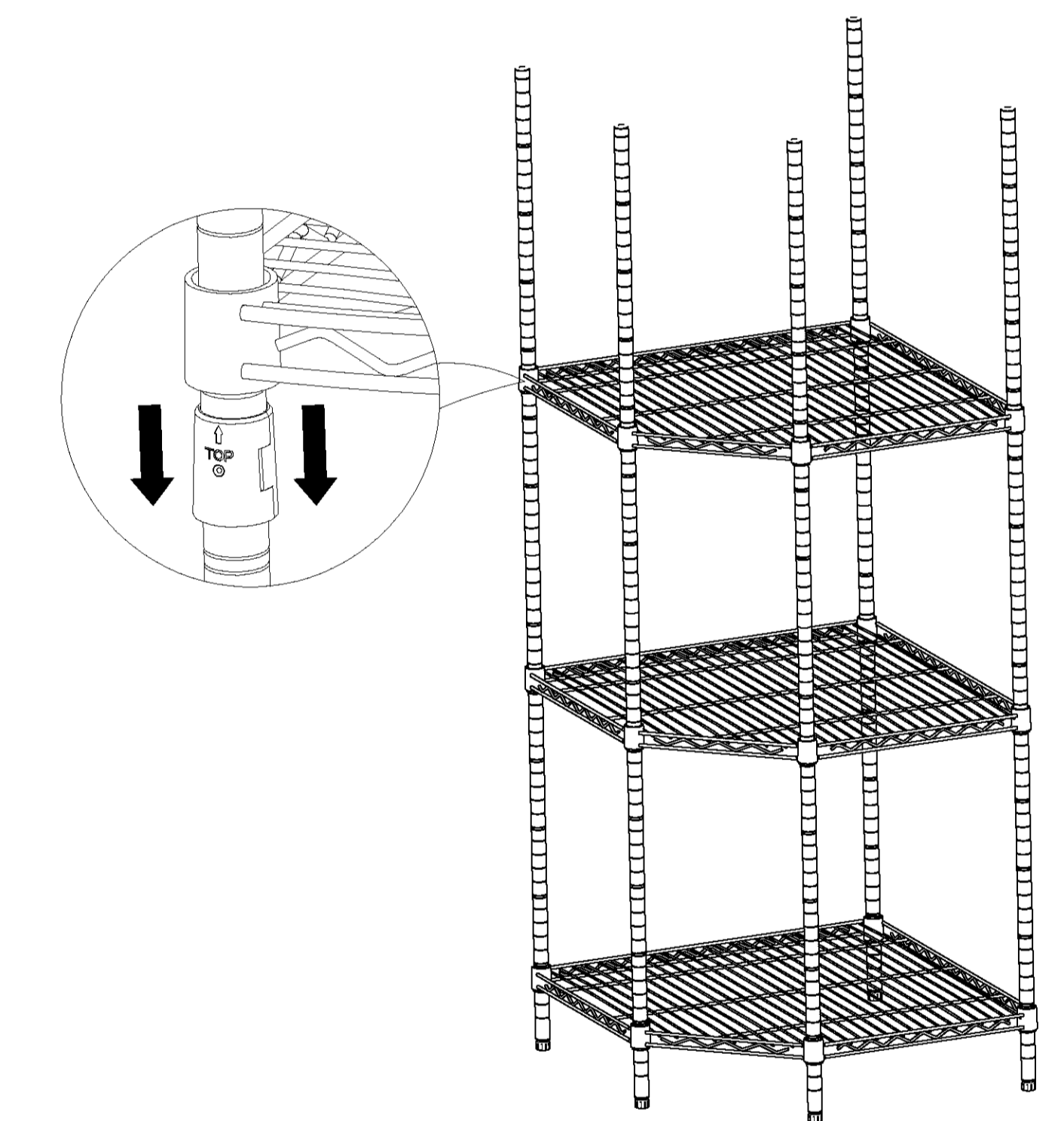
2 Please make sure that you have the Wire Shelf(A) the correct way up, hold the wire shelf on it's side and slide the top of four poles through the bottom of the wire shelf at it's corners until there is a snug fit.



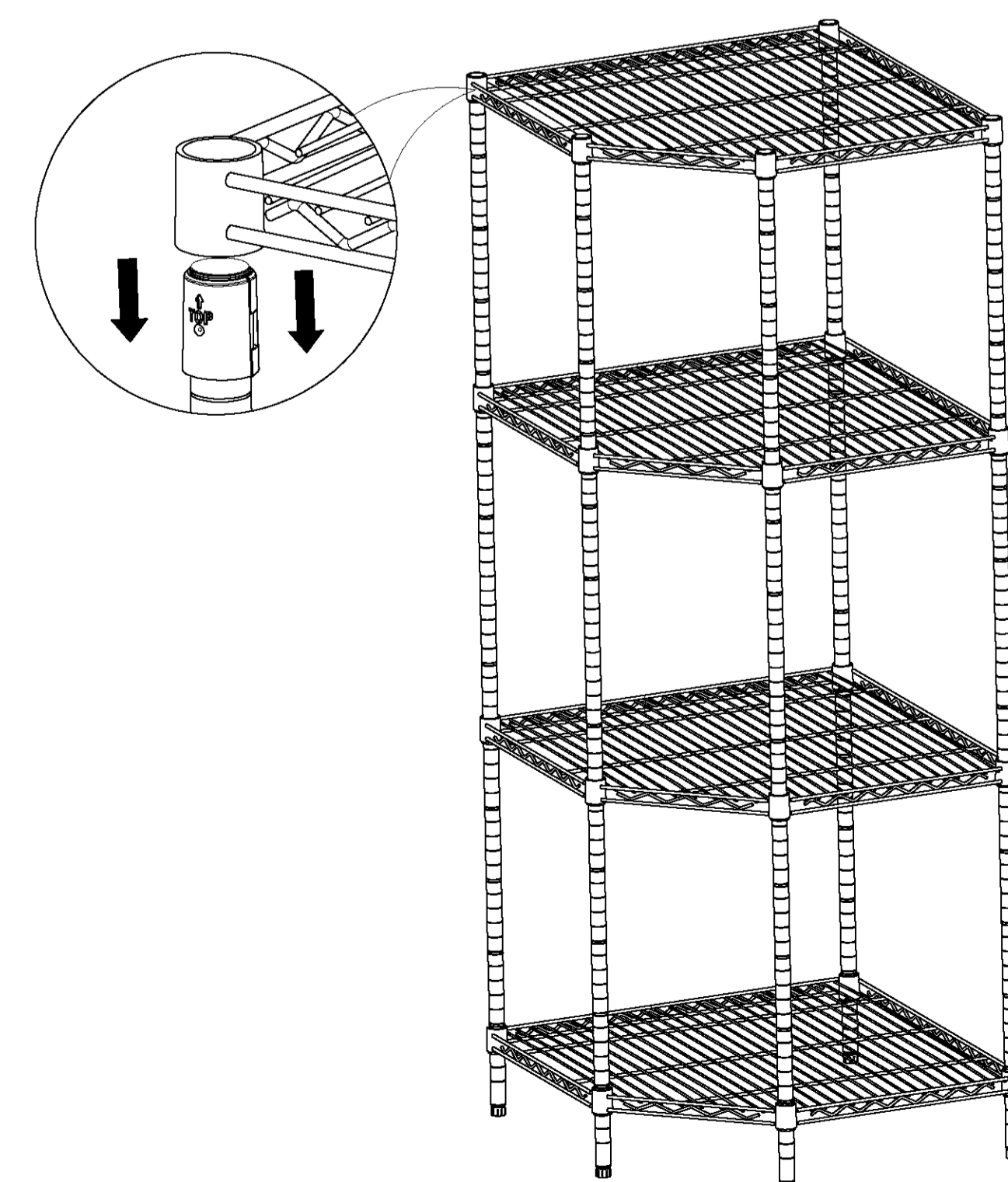
3 Set the wire shelf upright. Repeat step ①, ② to snap the plastic clips on the same groove of each pole at your next desired position and assemble the second wire shelf.



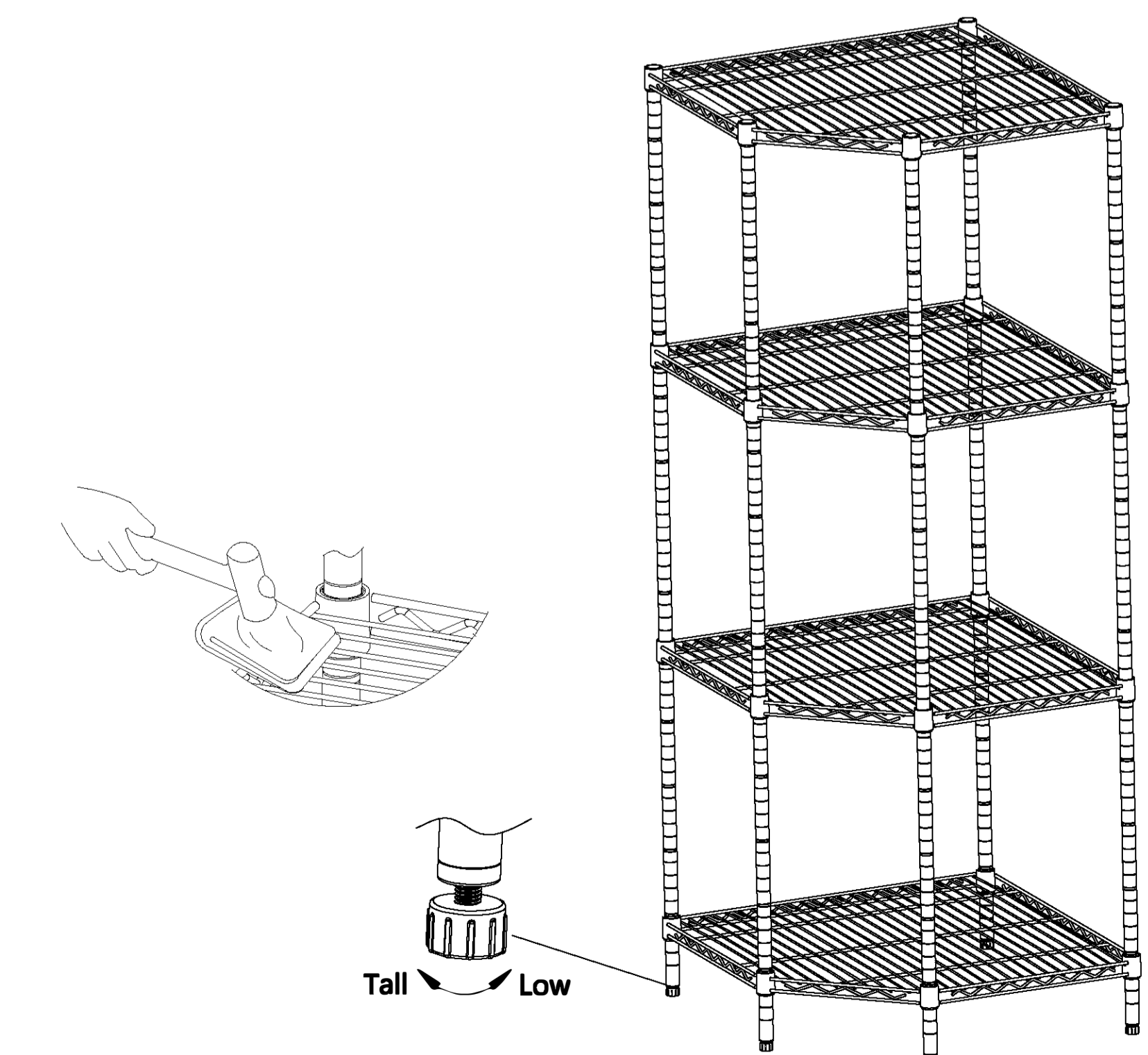
4 Set the wire shelf upright. Repeat step ①, ② to snap the plastic clips on the same groove of each pole at your next desired position and assemble the third wire shelf.



5 Snap plastic clips(D) into the top of each pole. Then Slide down the last shelf from top down onto the plastic clips.



6 Once all the wire shelves have been installed, pushing firmly down on every shelf at corners by rubber mallet to ensure that the shelf is in a place over the plastic clips. And screw the leveling feet in or out to attain proper leveling.



NO.	A	B	C	D
Name	Wire Shelf	Pole	Leveling Feet	Plastic Clip
Parts				
Quantity	4PCS	5PCS	5PCS	40PCS